

mariner 910 - 960



CONTROL PANEL



KUBOTA ENGINE



INPUT/OUTPUT FUEL PIPE

the engine is cooled by a coolant loop in a closed circuit. The system consists of a heat exchanger, inside which the heat exchange between coolant and sea water takes place. Two separate pumps provide for the circulation of coolant and seawater. Air flows ensure effective cooling of the alternator. The excellent accessibility makes maintenance operations easier, even with the generator installed in confined environments.



COMPACT DESIGN



EASY INSTALLATION

We reserve the right to modify the data, images and drawings in this document without prior notice.

For more detailed information, please contact your local distributor or Mase Generators S.p.A.



mase generators spa

Via Tortona, 345 | 47522 - Cesena (FC) | Italy

Tel. +39 0547 354311

commercial@masegenerators.com

www.masegenerators.com

mase
GENERATORS
Believing in change.



Single-phase output power
8.6 kW 50 Hz - 9.6 kW 60 Hz

CONTROL PANEL

_ CBU EVO IL4 device controls and drives the genset. The large display and control pushbuttons allow easy use and monitoring:

- Manual start
- Voltage Vac
- Frequency Hz
- Hour meter
- Genset battery voltage
- Oil low pressure alarm
- Engine preheating
- Engine high temperature alarm
- Alternator battery charger failure alarm
- Protection alarm for frequency and rpm
- Alarm history
- Maintenance warnings
- General alarm outlet
- RUN outlet
- Ready outlet
- Programmable AUX outlet

_ Emergency stop button

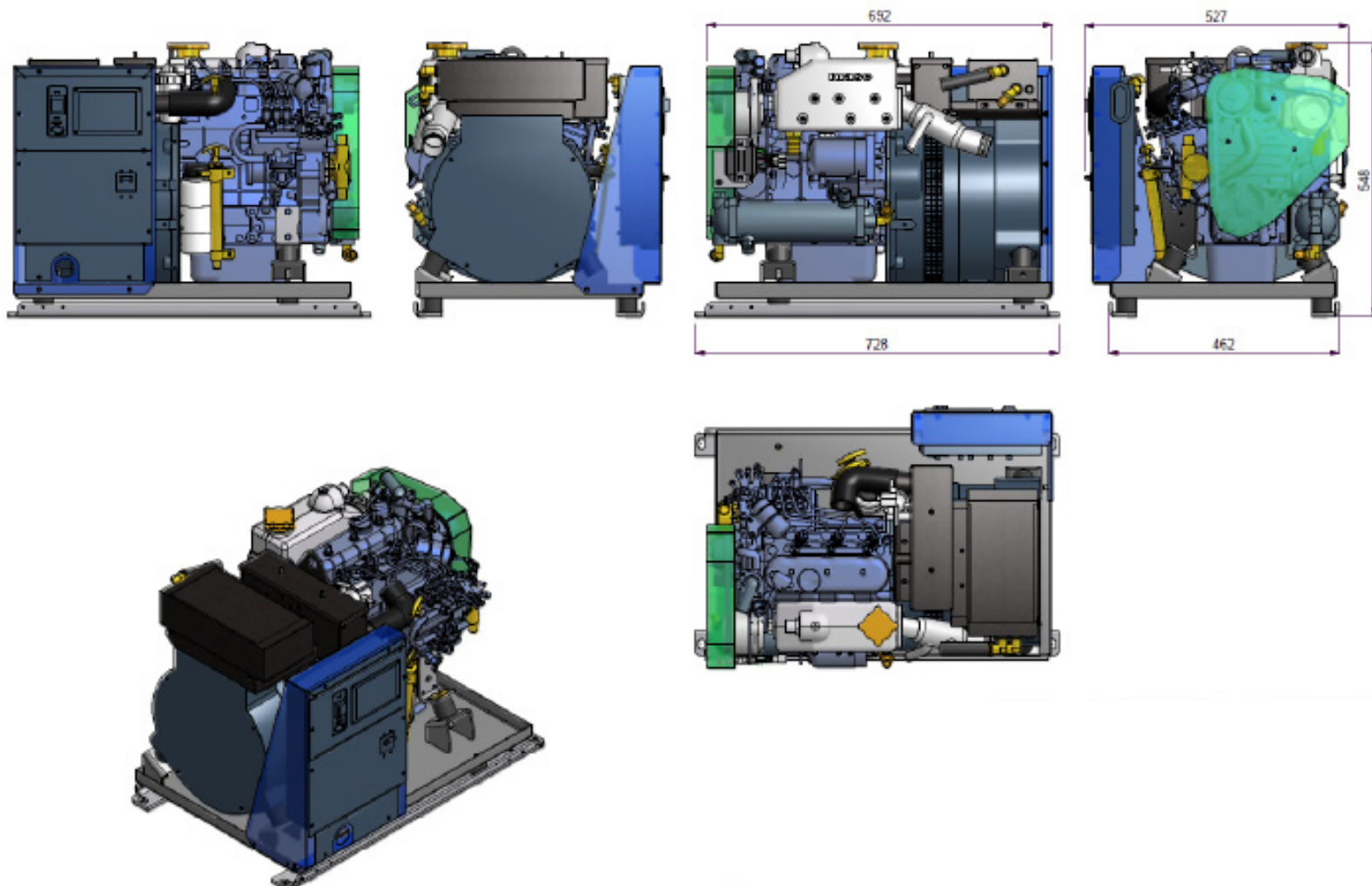
_ Magneto-thermal protection

ENGINE

_ Easy maintenance access to the feeding and lubrication systems, the sea water pump and the air filter

_ Double vibration dumping system

_ Oil drain pump





Single-phase output power
8.6 kW 50 Hz - 9.6 kW 60 Hz

50 Hz

60 Hz

AC alternator -	Synchronous, 2 poles, brushless, with capacitors	
Cooling -	Air	
Voltage -	115 - 230 V	120 - 240 V
Frequency -	50 Hz	60 Hz
Amps -	74.8 - 37.4 A	80 - 40 A
Max power -	8.6 kW	9.6 kW
Continuous power -	7.8 kW	8.8 kW
Power Factor -	cos ϕ 1	
Insulating class -	H	
Voltage stability -	$\pm 10\%$	
Frequency stability -	$\pm 5\%$	

The power is referred to an atmospheric pressure of 100 kPa, a humidity percentage of 30% and an ambient temperature of 25°C.

Model -	Kubota D722	
Type -	Diesel	
Cylinders -	nr 3	
Cylinder block material -	Cast iron	
Bore -	67 mm - 2.64 in	
Stroke -	68 mm - 2.68 in	
Displacement -	719 cc - 43.88 CID	
Power -	16.6 hp - 12.21 kWm	20 hp - 14.71 kWm
RPM -	3000	3600
Compression ratio -	23.5:1	
Combustion system -	Indirect injection	
Engine head material -	Cast iron	
Speed governor -	Mechanical	
Lubrication system -	Forced	
Oil sump capacity with filter -	3.8 l - 1.07 gl	
Engine stop system -	Electromagnet	
Fuel pump -	Electric	
Max. fuel pump head -	700 mm - 27.55 in	
Fuel consumption -	3.2 l/h - 0.85 gl/h	3.9 l/h - 1.03 gl/h
Air intake -	860 l/min - 30 cfm	1032 l/min - 36 cfm
Starting battery -	65 Ah - 12 V	
Battery charger -	14 Ah - 12 V	
Starter motor -	1.2 Ah - 12 V	
Max. inclination -	25°	
Water pump flow -	20 l/min - 5.28 gl/min	
Sea water inlet pipe \varnothing -	16 mm - 5/8"	
Exhaust pipe \varnothing -	50 mm - 2"	
Input/Output fuel pipe \varnothing -	8 mm - 5/16"	

Dimensions (L x W x H) -

730 x 468 x 555 mm - 28.7 x 18.4 x 21.9 in

Weight -

185 Kg - 408 lb



Single-phase output power
8.6 kW 50 Hz - 9.6 kW 60 Hz

Accessory

Code

ACCESSORIES ON REQUEST

• Complete installation kit D.50: filtering, discharge, and siphon-break D.16	012276
• Filtering kit: sea water inlet, sea water strainer, taps, fittings D.16 - ref.2	04349
• Exhaust kit: muffler, silencer, exhaust outlet D.50 MASE	04658
• Super silenced exhaust kit & exhaust gas separator D.50 MASE	010078
• Siphon break D.16 - ref.1	04290
• Muffler D.50 MASE	70795
• Silencer D.50 MASE	71809
• Water/gas separator MASE D.50	04488
• Vetus LP50 muffler	71148
• Vetus MP50 silencer	71751
• Silencer c.71751 with soundproofing sponge	039866
• Vetus LGS5038 separator	71717
• Centek 2" muffler - ref.3	71155
• Centek 2" water/gas separator - ref.4	71156
• Remote control START/STOP kit 20 meters for CBU (3000 RPM)	041238
• Cruise kit	913887

