

LT 5000 Y



Low-consumption LED



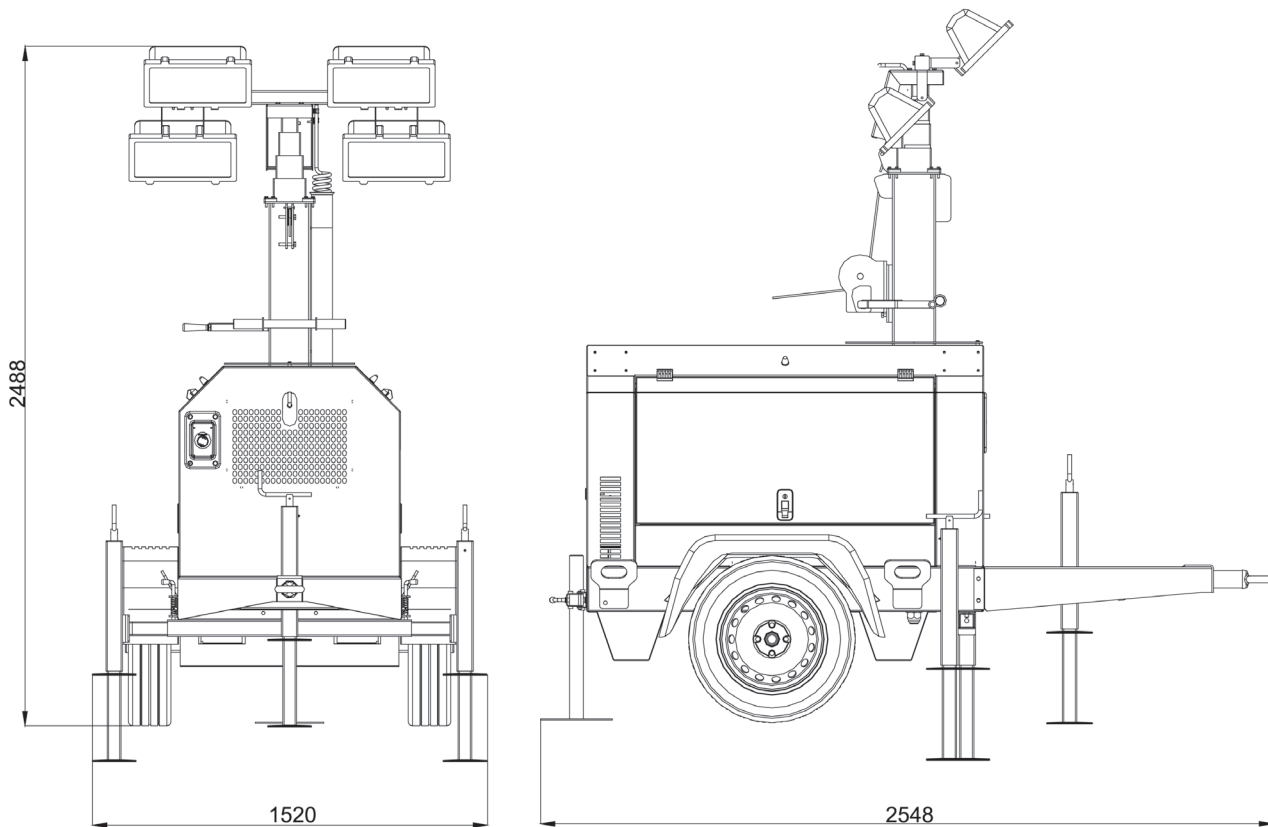
Movable Base



Control Panel



Unit of measure: mm



We reserve the right to change data, images and drawings without notice. For more information, you may contact your local dealer or Mase Generators S.p.A.

Mase Generators spa
Via Tortona, 345 - 47522 - Cesena (FC) - Tel. +39 0547 354311
www.masegenerators.com - commercial@masegenerators.com





**Max. output power 4 kVA
single-phase**

Description

- Silenced lighting tower - Power generator
- Diesel engine 3000 rpm
- 100 lt fuel tank

Standard Features

- Control panel with: hour meter, earth leakage circuit breaker (ELCB), lamps switch
- Auto engine protection shutdown system in case of: low oil pressure, battery charger failure
- 230V - 16A EEC single-phase socket protected by circuit breaker
- Warning lights for: low oil pressure, battery charger failure, voltage ON
- 12 V battery
- Emergency stop button
- Fuel level gauge
- 3 stabilizers
- Two-wheels site tow undercarriage (GRT2W)
- 8 mt lighting tower (340° rotation) with manual lifting

Options

- Versions with different voltages
- 60Hz version
- Floodlight with 4 x 100, 150 W LED lamps
- Floodlight with halogen lamps
- Engine heater
- Dusk sensor

Accessories on request

- 2 wheels road tow

Noise level

- Lwa 95 (70 dB a 7 mt)

AC generator - 50Hz

- Type: synchronous
- Single-phase power (stand-by): 4kVA - 230V
- Single-phase power (prime): 3,6kVA - 230V
- Power Factor: $\cos \phi$ 0,8

**Diesel Engine
3000 rpm**

- Type: Yanmar L70V - STAGE V - 1 cyl. - 320 cm³
- Max power: 6 hp (4,5 kWm)
- Starting system: electric (12Vdc)
- Cooling system: air
- Fuel consumption @ 75%: 1lt/h

Other features

- Insulation Class: H
- Ambient temperature: 40 °C (*)
- Altitude: 1000 m (*)
- Mechanical Protection: IP 23
- Fuel tank capacity: 100 lt
- Dimensions (L x W x H): 2548 x 1520 x 2488 mm
- Dimensions in operating conditions (L-W-H): 2548 x 2604 x 9040 mm
- Dry weight: 500 kg

(*) - For altitude and temperature values other than those listed above, please consult the manufacturer to verify the available power.