

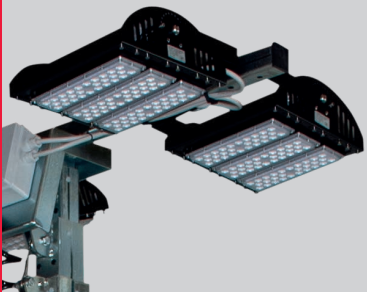
# LT 5000 SSH-Y hybrid



Low-consumption LED

Movable Base

Control Panel

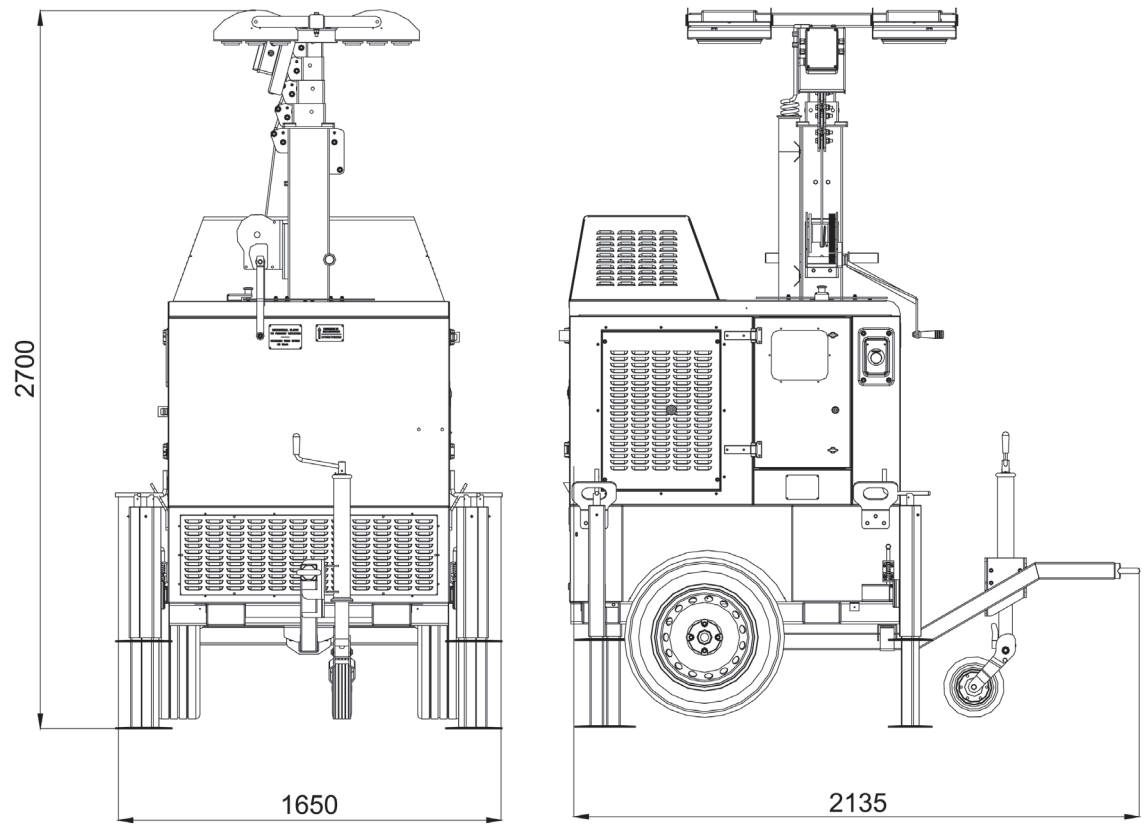


stage 5 V

hybrid system

variable speed

Unit of measure: mm



We reserve the right to change data, images and drawings without notice. For more information, you may contact your local dealer or Mase Generators S.p.A.

Mase Generators spa  
Via Tortona, 345 - 47522 - Cesena (FC) - Tel. +39 0547 354311  
www.masegenerators.com - commercial@masegenerators.com

**mase**  
**GENERATORS**  
Believing in change.



Max. output power 48 V  
three-phase

## Description

- Hybrid lighting tower
- Lithium battery
- Diesel engine 3000 rpm
- Super silenced model

## Standard Features

- Control panel with:
  - hour meter
  - fuel level gauge
  - lamps switch
- Auto engine protection shutdown system in case of:
  - low oil pressure
  - battery charger failure
- 12 V built-in battery
- 48 V battery for lamps
- Emergency stop button
- 5 Stabilizers
- Two-wheels site tow undercarriage (GRT2W)
- 8 mt lighting tower (340° rotation) with manual lifting
- Bunded tank
- Fork lift pockets
- Lifting eyes

## Options

- 60 Hz version
- Versions with different voltages
- Hydraulic lifting
- Engine heater
- Dusk sensor
- Floodlight with halogen lamps
- Floodlight with 4 x 100, 150, 360 W LED lamps

## Accessories on request

- 2 wheels road tow

## Noise level

- Lwa 92 (67 dB at 7 m)

## Generator

- Type: permanent magnets (PMG)
- Three-phase power: 48V

## Diesel Engine 3000 rpm

- Type: Yanmar L70V - STAGE V - 1 cyl. - 320 cm<sup>3</sup>
- Max power: 5,9 hp (4,4 kWm)
- Starting system: electric (12Vdc)
- Cooling system: air
- Fuel consumption @ 80%: 1 lt/h

## Other features

- Insulation Class: H
- Ambient temperature: 40 °C (\*)
- Altitude: 1000 m (\*)
- Mechanical Protection: IP 23
- Fuel tank capacity: 100 lt
- Dimensions (L x W x H): 2135 x 1650 x 2700 mm
- Maximum dimensions (L x W x H): 2135 x 2740 x 9250 mm
- Dry weight: 800 kg
- Medium consumption per light/hours: 0,22 lt/h (4 x 100 W) - 0,30 lt/h
- Battery recharging time: 1h 30' (4 x 100 W) - 1h 40' (4 x 150 W)
- Battery running time: 8h 45' (4 x 100 W) - 5h 50' (4 x 150 W)
- Wind resistance: 80 km/h
- Total running time (@100%): 460 h (4 x 100 W) - 340 h (4 x 150W)

(\*) - For altitude and temperature values other than those listed above, please consult the manufacturer to verify the available power.