

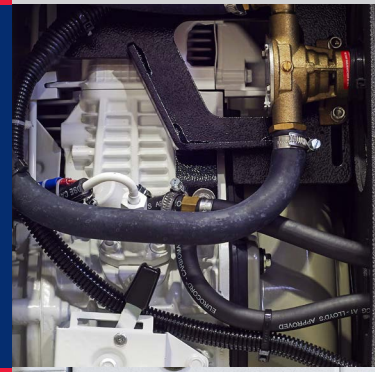
# IS 3.5



Control panel



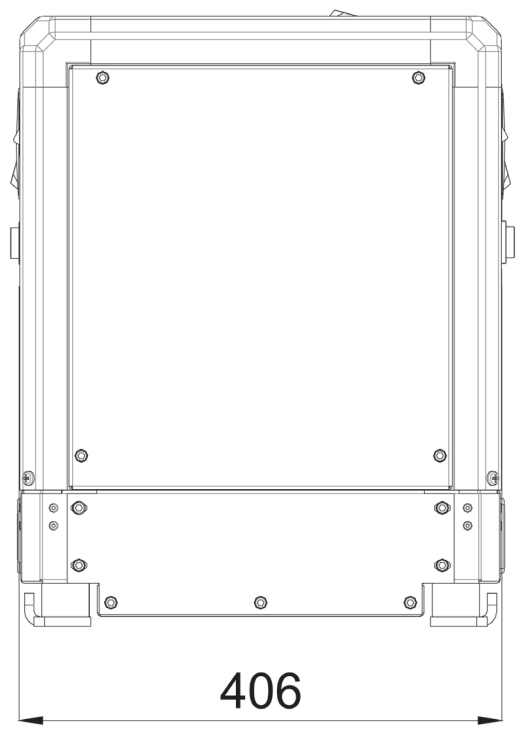
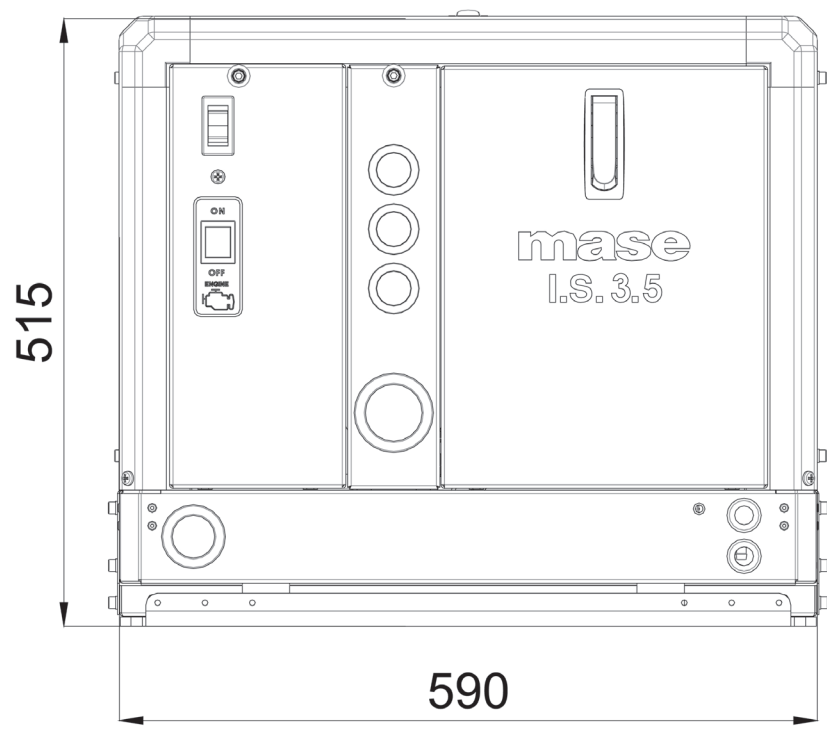
3000 rpm Yanmar engine



Main circuit breaker



Unit of measure: mm



We reserve the right to change data, images and drawings without notice.  
 For more information, you may contact your local dealer or Mase Generators S.p.A.

**Mase Generators spa**  
 Via Tortona, 345 - 47522 - Cesena (FC) - Tel. +39 0547 354311  
[www.masegenerators.com](http://www.masegenerators.com) - [commercial@masegenerators.com](mailto:commercial@masegenerators.com)

**mase**  
**GENERATORS**  
*Believing in change.*



Output power 3 kW single-phase

Description

- Marine power generator
- Diesel engine 3000 rpm
- Silenced version

AC generator - 50Hz

- Type: synchronous, 2-poles, self-regulated, self-excited, brushless
- Cooling: Air/water (Intercooler W/A)
- Max. power: 3 kW
- Continuous power: 2,7 kW
- Voltage (V): 115 - 230
- Amps: 26 - 13
- Power factor:  $\cos \phi 1$
- Voltage stability:  $\pm 10\%$
- Frequency stability:  $\pm 5\%$
- Battery charging output (A-V): 10-12
- Safety stop for high coilings temperature.
- Rotor dinamically balanced
- Rotor and stator epoxy resin coated against external agents

Diesel Engine 3000 rpm

- Type: Yanmar L70N - 1 cil. - 6,1 hp (4,5 kWm) - 320 cm<sup>3</sup>
- Starting system: electric (12Vdc)
- Fuel consumption @ 100%: 1,3 lt/h
- Easy access in case of maintenance of feeding system, lubrication system, sea/water pump and air filter
- Double vibration damping system
- Oil filter and fuel filter easy to replace
- Oil drain pump provided
- Safety stop in case of low oil pressure
- Safety stop in case high engine temperature or exhaust gas temperature

Standard Features

- Controller with digital display for full monitoring of generator parameters: manual start, Vac voltage, frequency Hz, engine rpm, hourmeter, genset battery voltage, engine oil pressure, low oil pressure alarm, engine temperature, engine pre-heating, high engine temperature warning and shutdown alarm, high alternator temperature warning and shutdown alarm, alarms history, maintenance warning + 10 mt connection cable
- Emergency stop button
- Thermal protection

Accessories on request

- Siphon break
- Filter kit
- Exhaust kit
- Separator and exhaust advice
- Insulated two poles kit

Noise level

- 54 dBA @ 7mt

Other features

- Insulation Class: H
- Ambient temperature: 40 °C (\*)
- Altitude: 1000 mt (\*)
- Mechanical Protection: IP 23
- Dimensions (L x W x H): 590 x 406 x 515 mm
- Dry weight: 96 Kg
- Max. inclination: 30°
- Water pump flow (l/min): 20
- Cooling system: intercooler system heat exchanger (sea water/air) that provides the optimal temperature for the best performance and reliability of the gensets despite the on board allocation and the roomtemperature.
- Soundproof cabin made of extremely light marine aluminum with very high resistance to external agents

(\*) - For altitude and temperature values other than those listed above, please consult the manufacturer to verify the available power.