

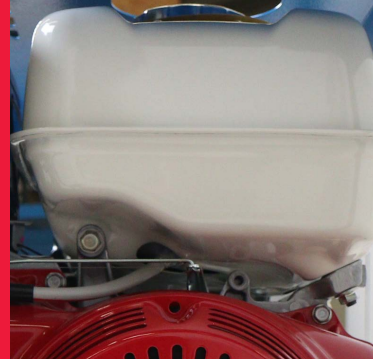
EA 7/3 GH



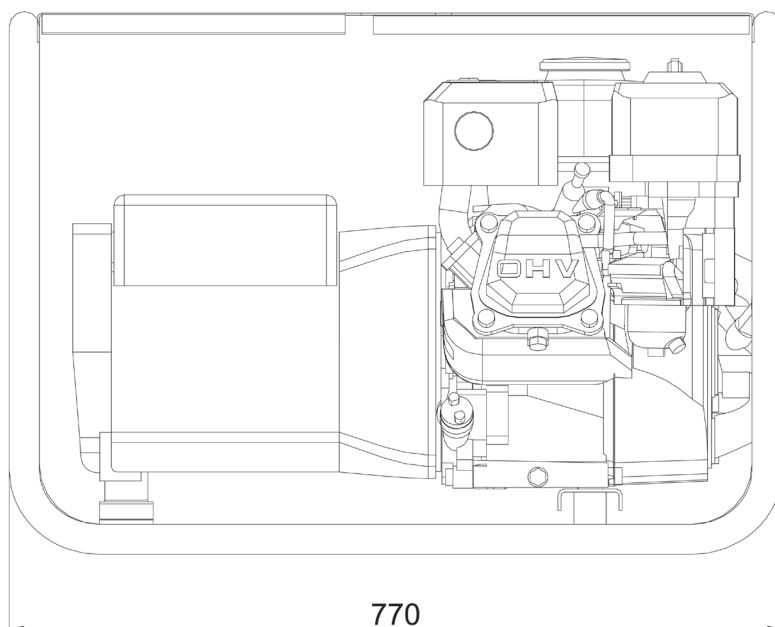
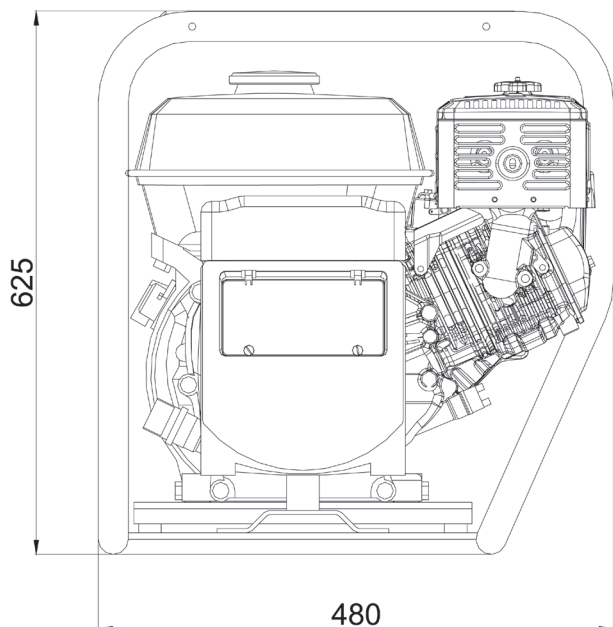
6,1 Lt Fuel Tank

Socket Panel

Honda GX390 Engine



Unit of measure: mm



We reserve the right to change data, images and drawings without notice.
For more information, you may contact your local dealer or Mase Generators S.p.A.

Mase Generators spa
Via Tortona, 345 - 47522 - Cesena (FC) - Tel. +39 0547 354311
www.masegenerators.com - commercial@masegenerators.com

mase
GENERATORS
Believing in change.



Output power 7,5 kVA three-phase
Output power 4 kVA single-phase

Description

- Portable power generator
- Output power 7,5 kVA three-phase and 4 kVA single-phase
- Petrol engine 3000 rpm
- Fuel tank 6,1 lt

Standard Features

- Low oil level shutdown device
- 1 x 16 A, 400 V - 50 Hz three-phase EEC socket
- 1 x 16 A, 230 V - 50 Hz single-phase EEC socket
- Protections for power outputs
- Earth Leakage Circuit Breaker (ELCB)

Options

- Versions with different voltages
- 60Hz version
- Oversized fuel tank (25 lt)
- Automatic voltage regulator (AVR)

Accessories on request

- Trolley: two-wheels and handles

Noise level

- Lwa 97 (72 dB a 7 mt)

AC generator - 50Hz

- Type: synchronous
- Three-phase power (max.): 7,5 kVA - 400 V
- Single-phase power (max.): 4 kVA - 230 V
- Power Factor: $\cos \phi$ 0,8

**Petrol Engine
3000 rpm**

- Type: Honda GX 390 OHV - 1 cyl. - 11 HP (8,2 kWm) - 390 cm³
- Cooling system: air
- Starting system: recoil
- Fuel tank capacity: 6,1 lt
- Fuel consumption @ 75%: 3,3 lt/h

Other features

- Insulation Class: H
- Ambient temperature: 40 °C (*)
- Altitude: 1000 mt (*)
- Mechanical Protection: IP 23
- Dimensions (L x W x H): 770 x 480 x 625 mm
- Dry weight: 80 kg

(*) - For altitude and temperature values other than those listed above, please consult the manufacturer to verify the available power.