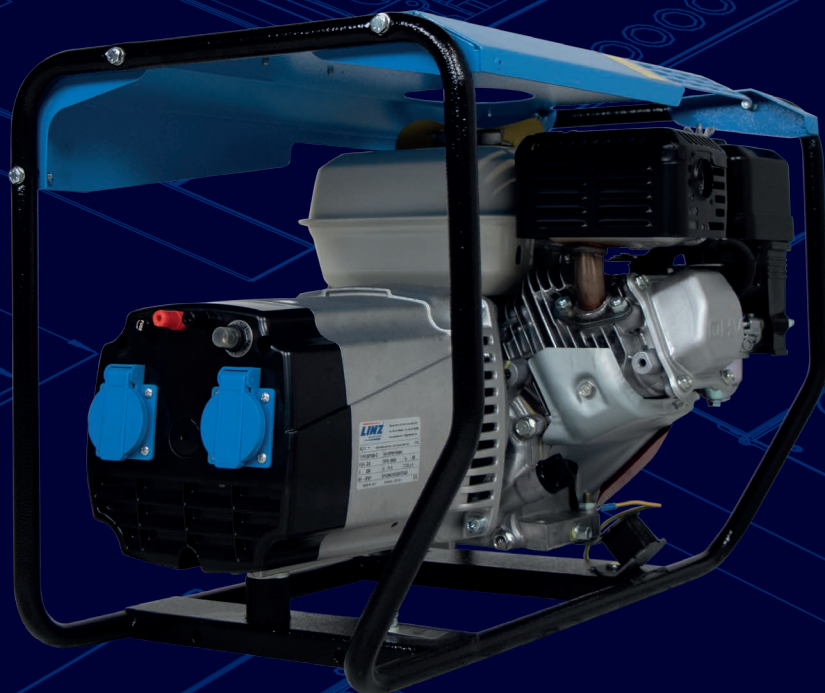
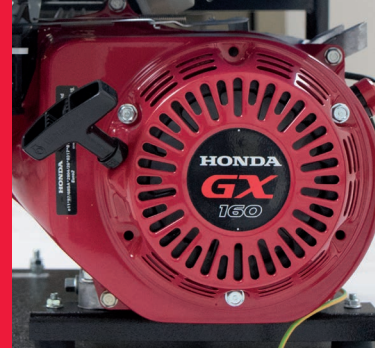


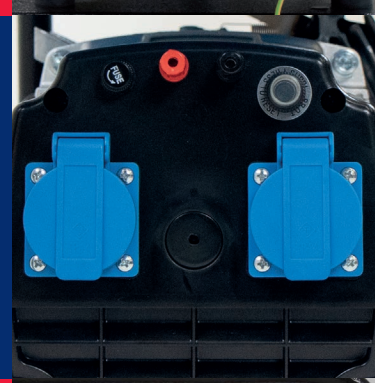
# EA 30 GH



Honda GX 160 Engine



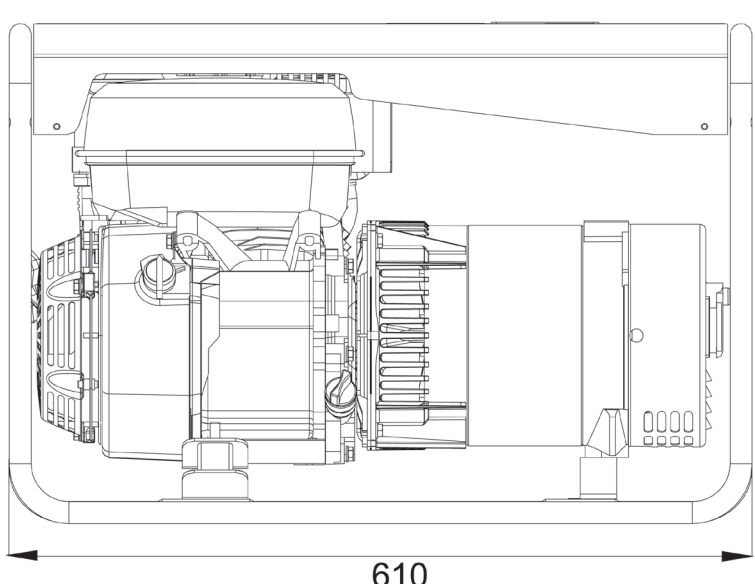
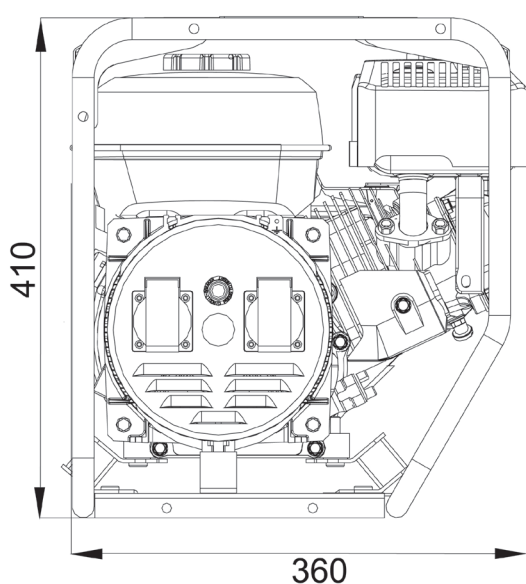
Frontal panel



3.1 lt Fuel Tank



Unit of measure: mm



We reserve the right to change data, images and drawings without notice.  
For more information, you may contact your local dealer or Mase Generators S.p.A.

Mase Generators spa  
Via Tortona, 345 - 47522 - Cesena (FC) - Tel. +39 0547 354311  
www.masegenerators.com - commercial@masegenerators.com





Max. output power 3 kVA  
single-phase

**Description**

- Portable single-phase power generator
- Output power 3 kVA
- Petrol engine 3000 rpm
- Fuel tank 3,1 lt

**Standard Features**

- Low oil level shutdown device
- 2 x 230 V - 50 Hz single-phase Schuko socket
- protected by circuit breaker
- 12 Vdc battery charger outlet protected by fuse

**Options**

- Oversized fuel tank (11 lt)

**Noise level**

- Lwa 95 (70 dB a 7 mt)

**AC generator - 50Hz**

- Type: synchronous
- Single-phase power (max.): 3 kVA - 230 V
- Battery charger power: 120 W - 12 V - 10 A - DC
- Power Factor:  $\cos \phi$  0,8

**Petrol Engine  
3000 rpm**

- Type: Honda GX 160 OHV - STAGE V - 1 cyl.  
4,3 HP (3,2 kWm) 163 cm<sup>3</sup>
- Cooling system: air
- Starting system: recoil
- Fuel tank capacity: 3,1 lt
- Fuel consumption @ 75%: 1,4 lt/h

**Other features**

- Insulation Class: H
- Ambient temperature: 40 °C (\*)
- Altitude: 1000 mt (\*)
- Mechanical Protection: IP 23
- Dimensions (L x W x H): 585 x 360 x 410 mm
- Dry weight: 36 kg

(\*) - For altitude and temperature values other than those listed above, please consult the manufacturer to verify the available power.