



### Soundproof cabin

A new project and a new great design. It is done with a frame structure made of steel and a new aluminum cover painted with a special strong varnish against all external agents. Excellent accessibility inside the genset makes also easier maintenance services even with genset installed in narrow site.

### Remote control panel

The gen-set control panel was designed to include, in one single panel, all switches, control and protection devices. Components are the following :

- Digital Hour-meter.
- Start-stop button.
- Warning indicator for high temperature, low oil pressure, generator running, low fuel level.
- Cable for remote connection, length 10 mt.

### Onboard control panel

- Emergency stop button
- Magnetothermal switch for overload and short-circuit protection.

### Engine

- Easy access for feeding system and lubrication's maintenance
- Safety shutdown in case of low oil pressure
- Safety shutdown in case of high water temperature
- Easy access oil and fuel filters
- Easy access to air filter and fast replacement
- Liquid cooling
- Radiator with electric fans.

### Alternator

- Synchronous, 2 poles, brushless self-excited, self-regulated.
- Rotor and stator epoxy resin coated against external agents.
- Rotor dynamically balanced.
- Insulation class H.

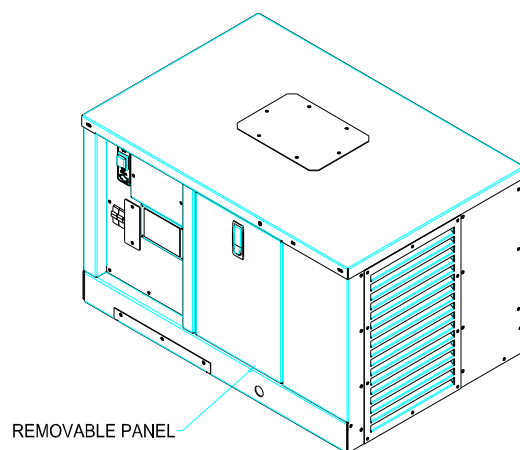
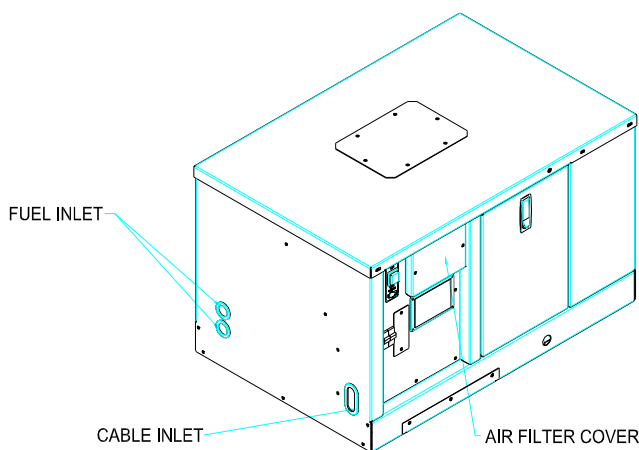
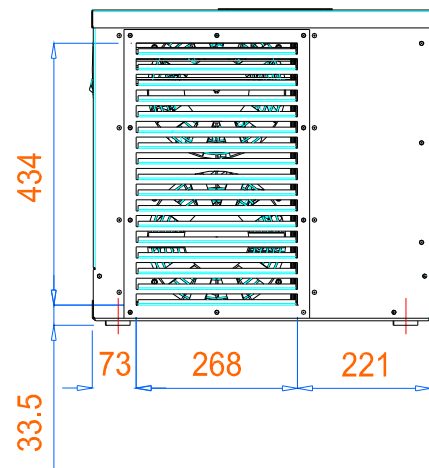
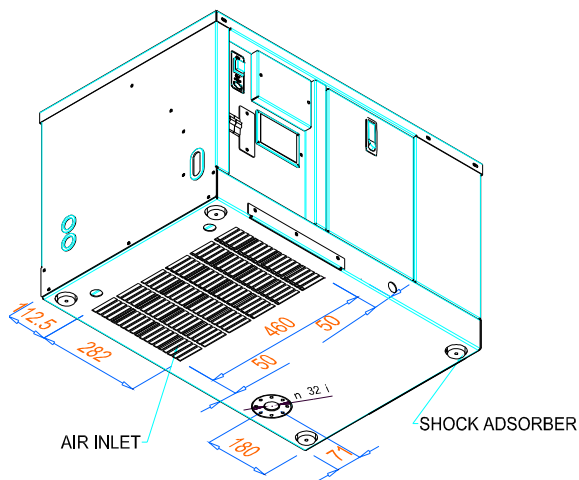
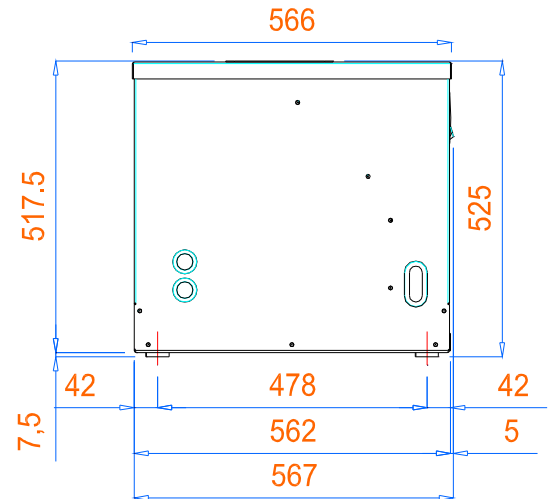
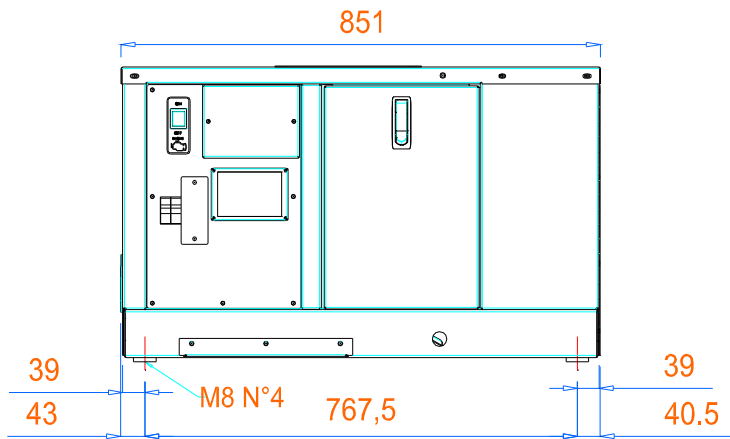
### ENGINE

Model	KUBOTA Z482
Type	Diesel 4 stroke
Cylinders (nr.)	2
Displacement (cc.)	479
Power (hp)	11,1
RPM	3000
Combustion system	Indirect injection
Speed governor	Centrifugal, mechanical
Lubrication system	Forced
Oil sump capacity with filter (l)	2,5
Engine stop system	Stop solenoid
Fuel pump	Electric
Fuel pump discharge (cm)	70
Fuel consumption (l/h)	2,6
Starting battery (Ah-V)	45 - 12
Battery charger (Ah-V)	10-12
Starting motor (kW-V)	0,7 - 12

### ALTERNATOR

Type	Synchronous, 2-poles self-excited
Cooling	Air
Voltage (V)	230
Frequency (Hz)	50
Insulating class	H
Voltage stability	±10%
Frequency stability	±5%
Max. power (kVA)	6 kW
Continuous power (kW)	5,7 kW
Power factor ( cos $\phi$ )	1
Dimension (L x W x H) (mm)	861 x 567 x 525
Weight (kg)	190
Noise level (dBA a 7mt )	62

# VOYAGER 6020 DM



Dealer:

*This drawing is only a reference and is not indicated for the installation. For more information, you may contact your local dealer or **mase generators S.p.A.***

**mase generators S.p.A.** reserves the right to change design or specifications without notice and without any obligations or liability whatsoever. For more information, you may contact your local **mase** dealer.